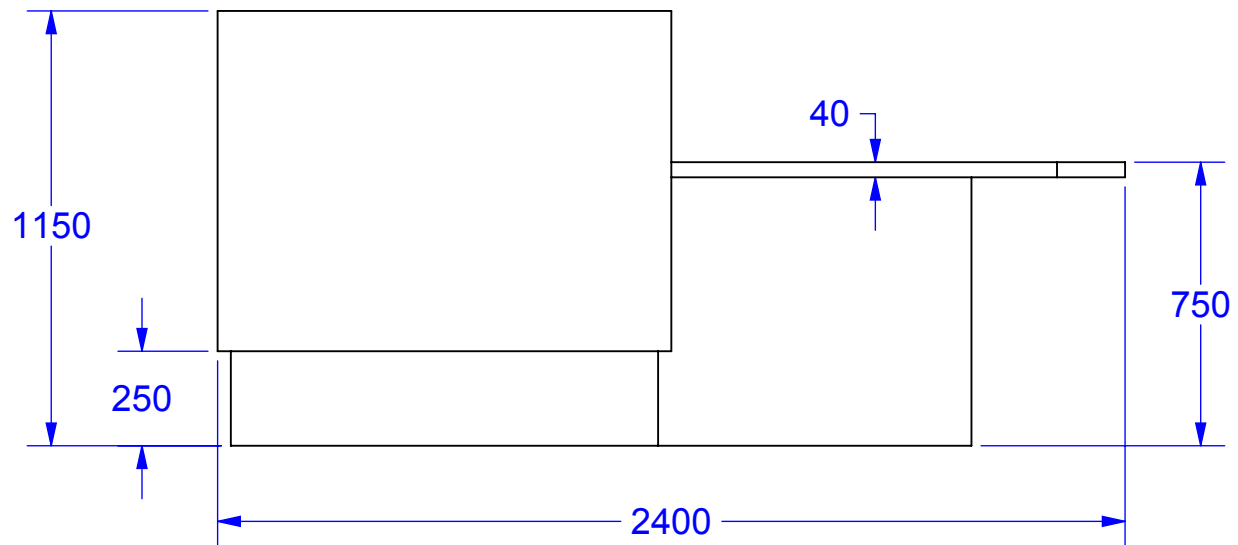


PLAN VIEW



FRONT ELEVATION