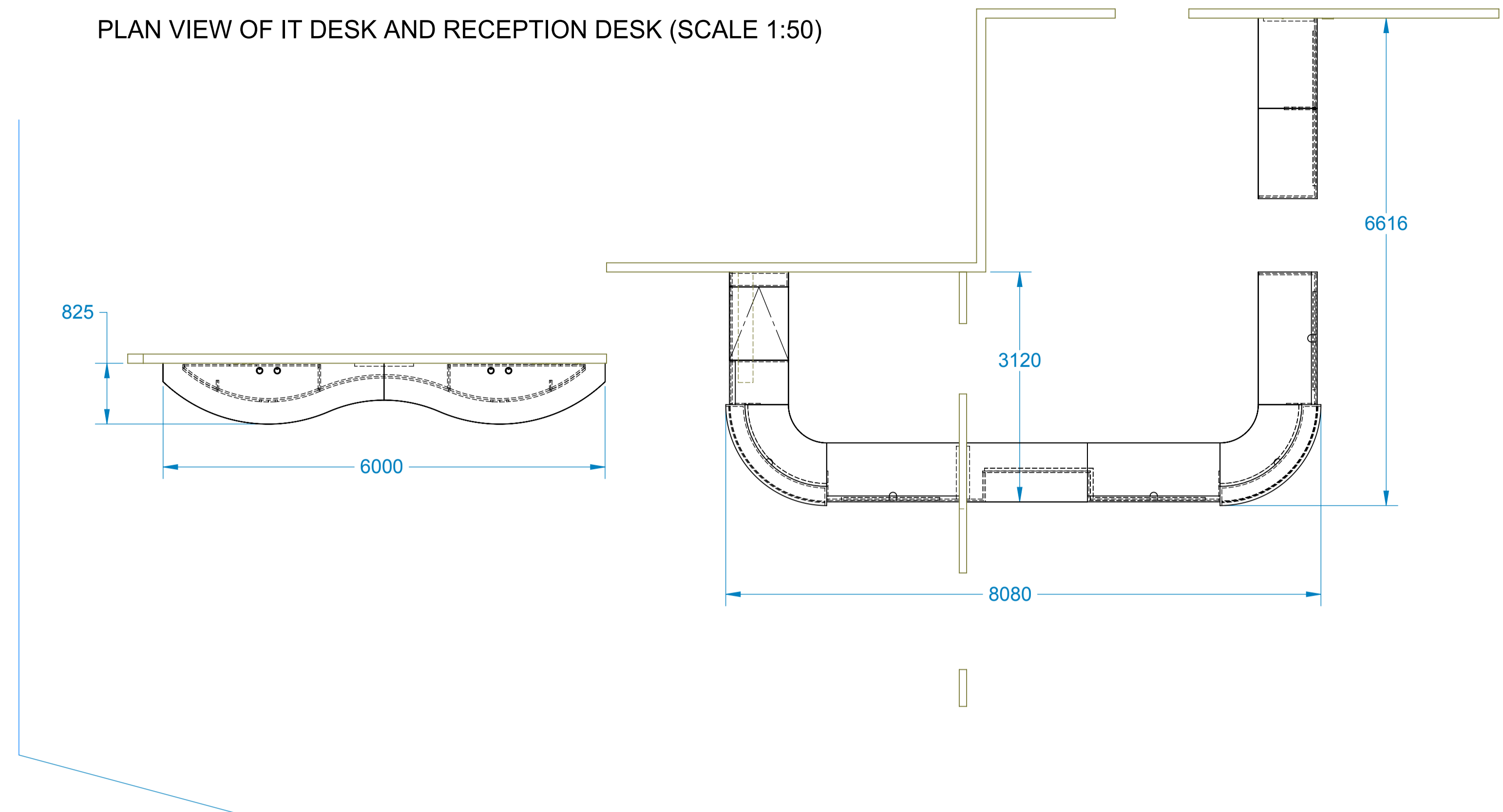


ISOMETRIC VIEW (NOT TO SCALE)

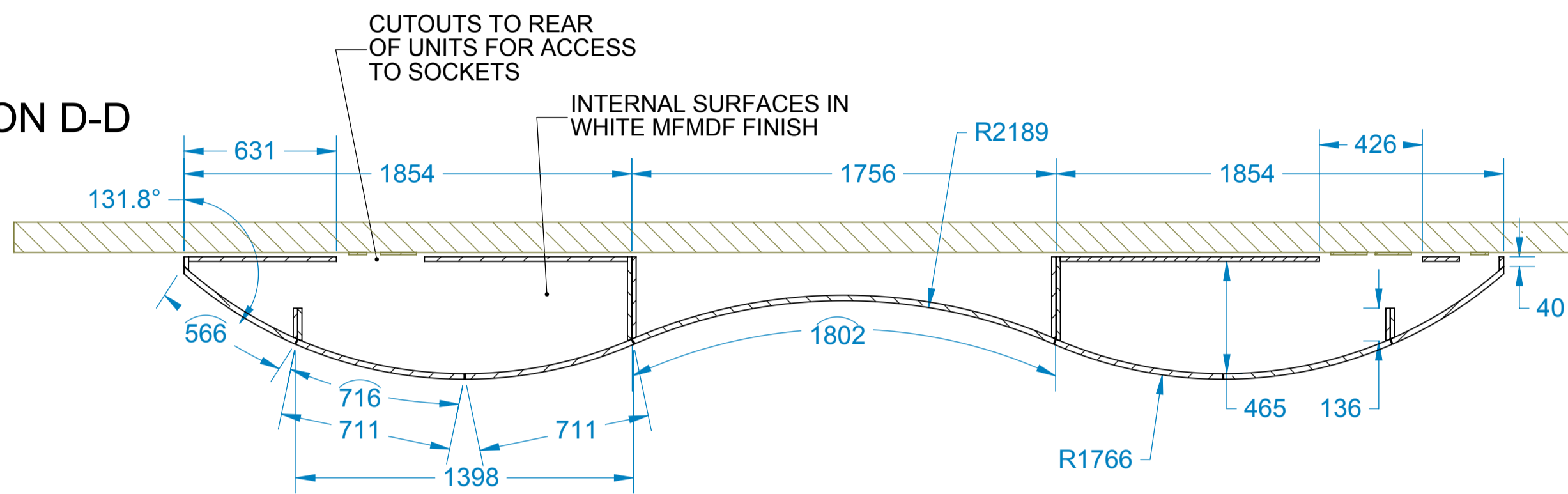
**BESPOKE IT BAR / STORAGE UNIT
TO ACCOMPANY RECEPTION DESK
(DRAWING xxxx xxx xxx xxx)**

**WORKTOP TO SCRIBE TO WALL ON SITE, FIXED
TO UNITS BENEATH.**

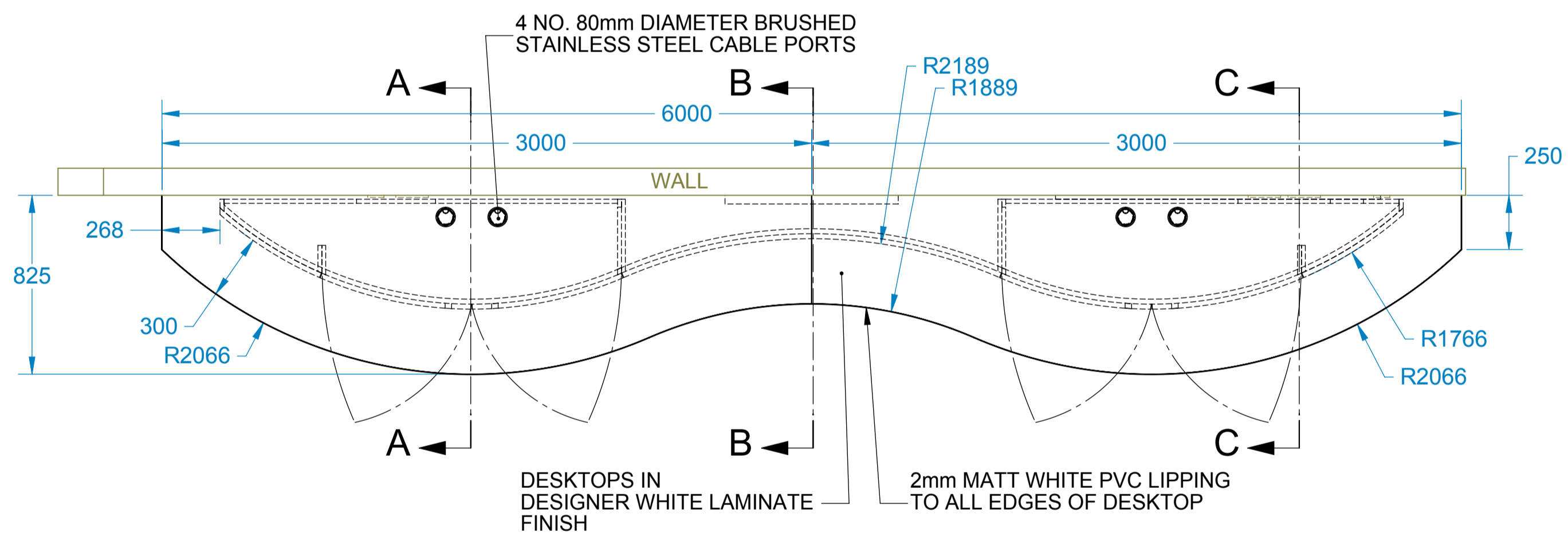


PLAN VIEW OF IT DESK AND RECEPTION DESK (SCALE 1:50)

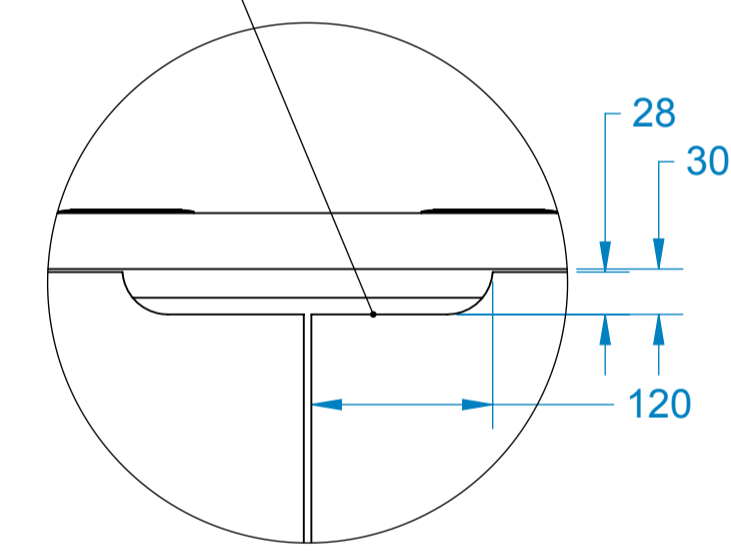
SECTION D-D



PLAN VIEW

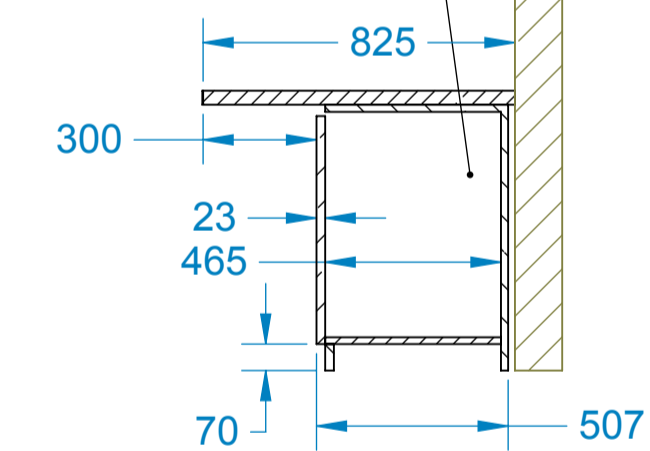


SCALLOP DETAIL TO TOP OF DOORS TO ACT AS HANDLE

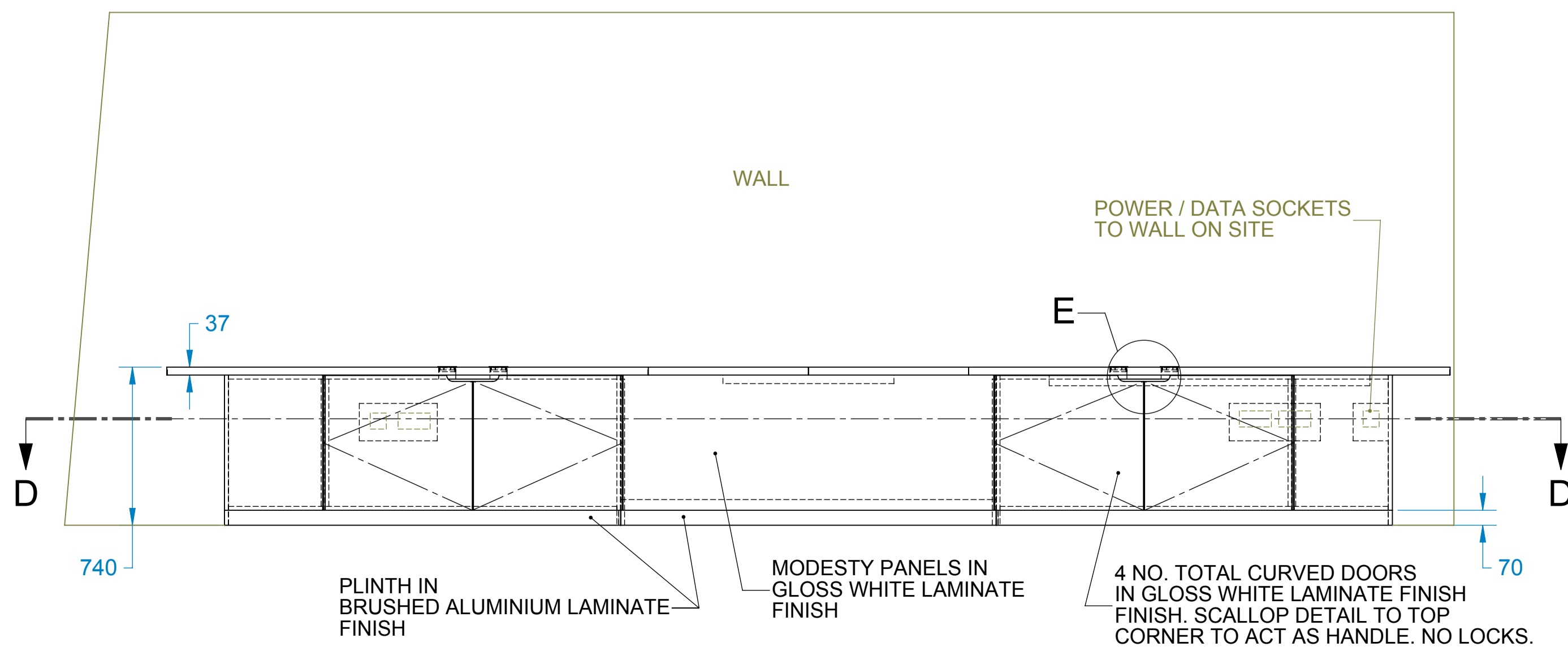


DETAIL E
SCALE 1 : 5

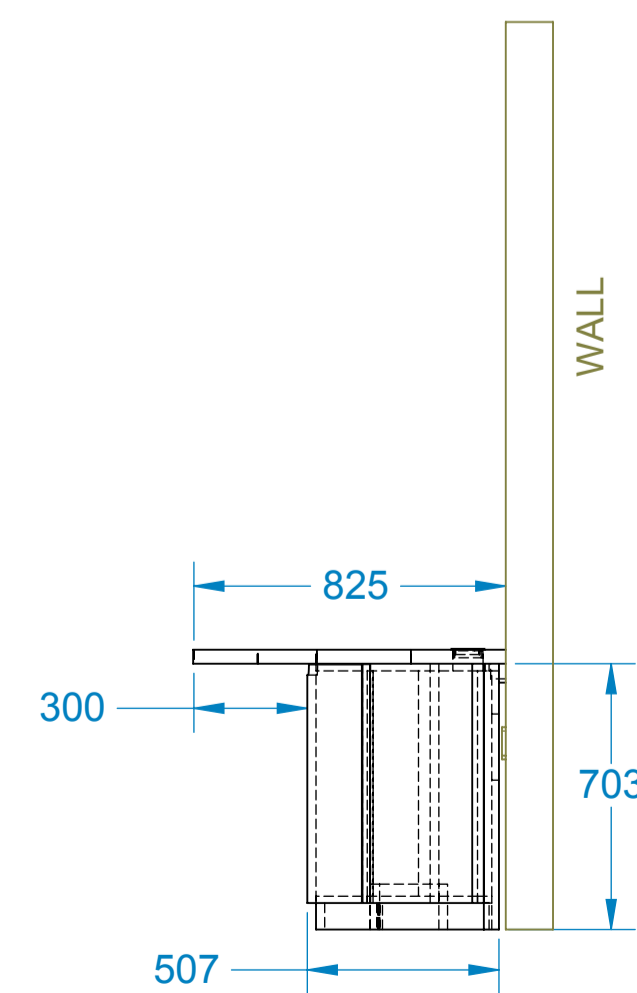
INTERNAL SURFACES IN WHITE MFMDF FINISH



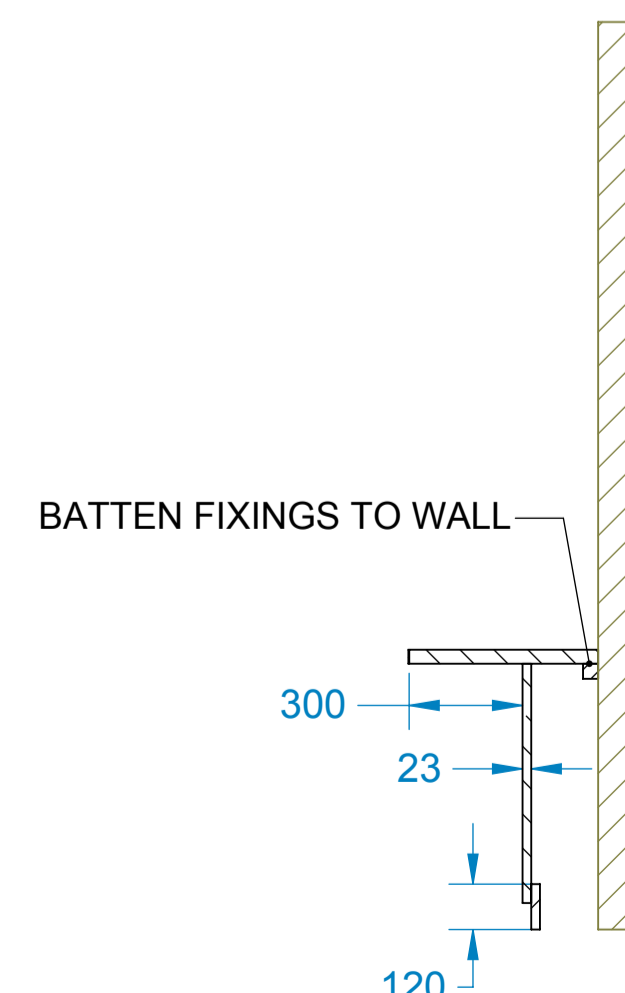
SECTION A-A



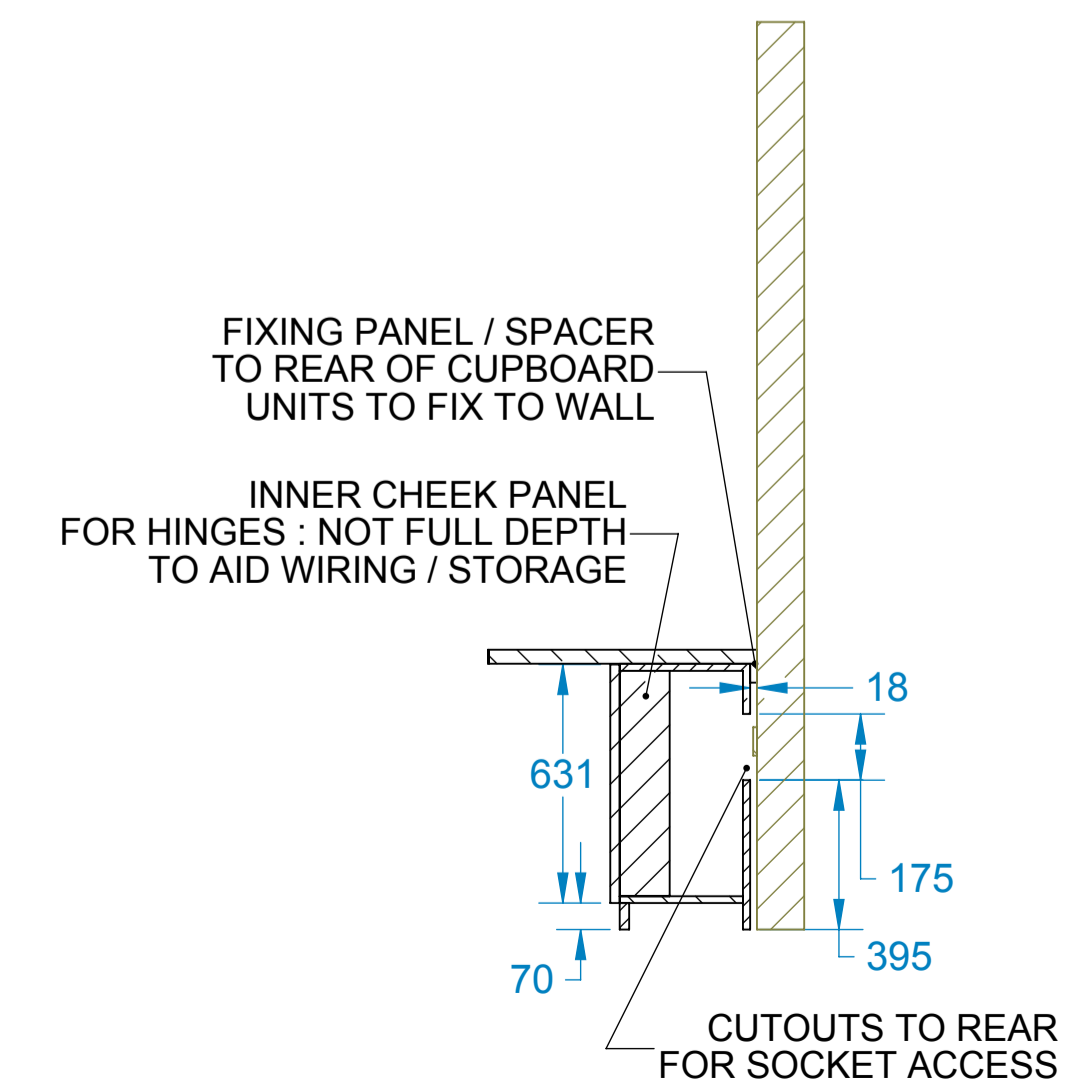
FRONT ELEVATION



RIGHT ELEVATION



SECTION B-B



SECTION C-C

Notes

D	
C	
B	
A	ALL OUTER SURFACES IN GLOSS WHITE LAMINATE, EXCEPT TO WORKTOPS

Client

Job No. 4117

Job Title

Drawing Title
BESPOKE IT DESK UNIT
SHEET 1 OF 1

Scale 1:20 Date 28 09 09 Drawn By TAR

Drawing No. Revision
A

Clarke Rendall
BUSINESS FURNITURE LIMITED

Copyright exists on the designs and information shown on this drawing which may not be reproduced in any form without prior written consent

Unit 12 Denbigh Hall Industrial Estate
Denbigh Hall Drive, Blotchley
Milton Keynes, MK3 7QT

T: 01908 391600 F: 01908 391601
E: salesupport@clarkenderall.com
www.clarkenderall.com

A1